

— LABEL FOR SINGLE BOX

**SINGLE STAGE REGULATOR  
TYPE 738 - PROPANE  
30-50 mbar - 10 kg/h  
INLET: W20x1/4" L.H. female (G.1)  
OUTLET: G 1/2 female (H.7)**

— EXPEDITION BOX LABEL

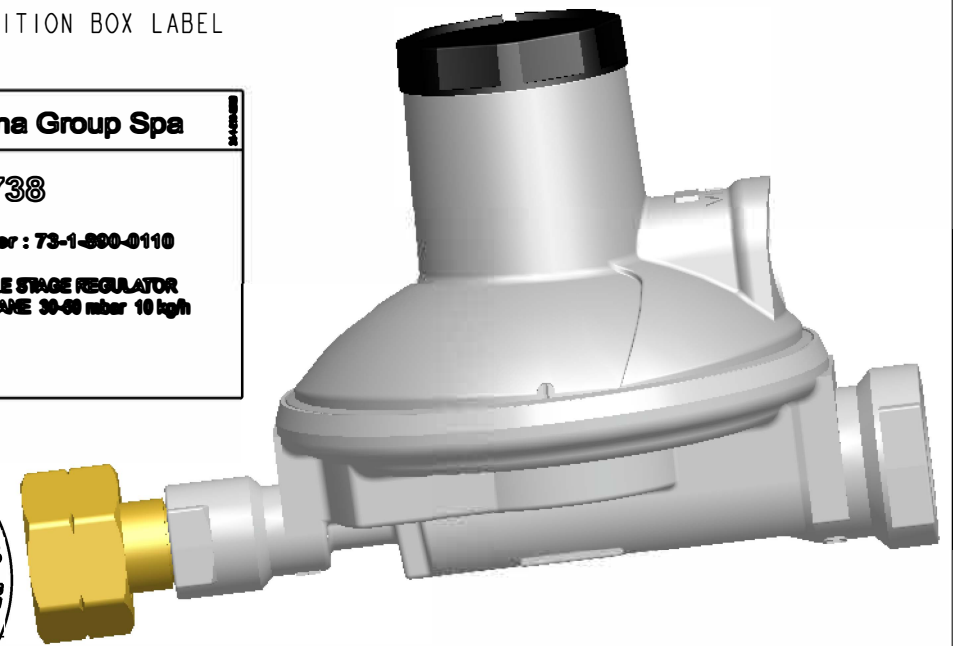
**Cavagna Group Spa**

Type of regulator : **738**

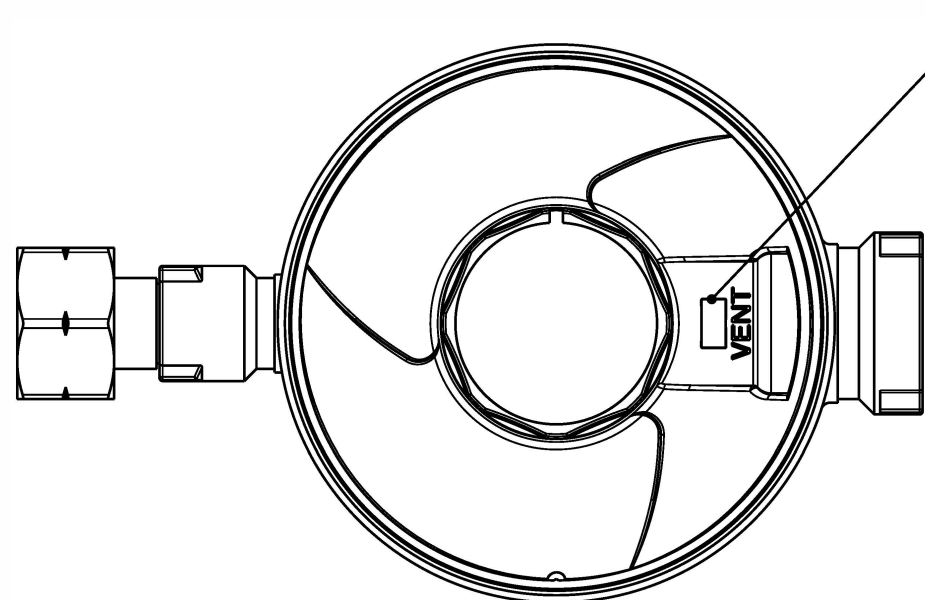
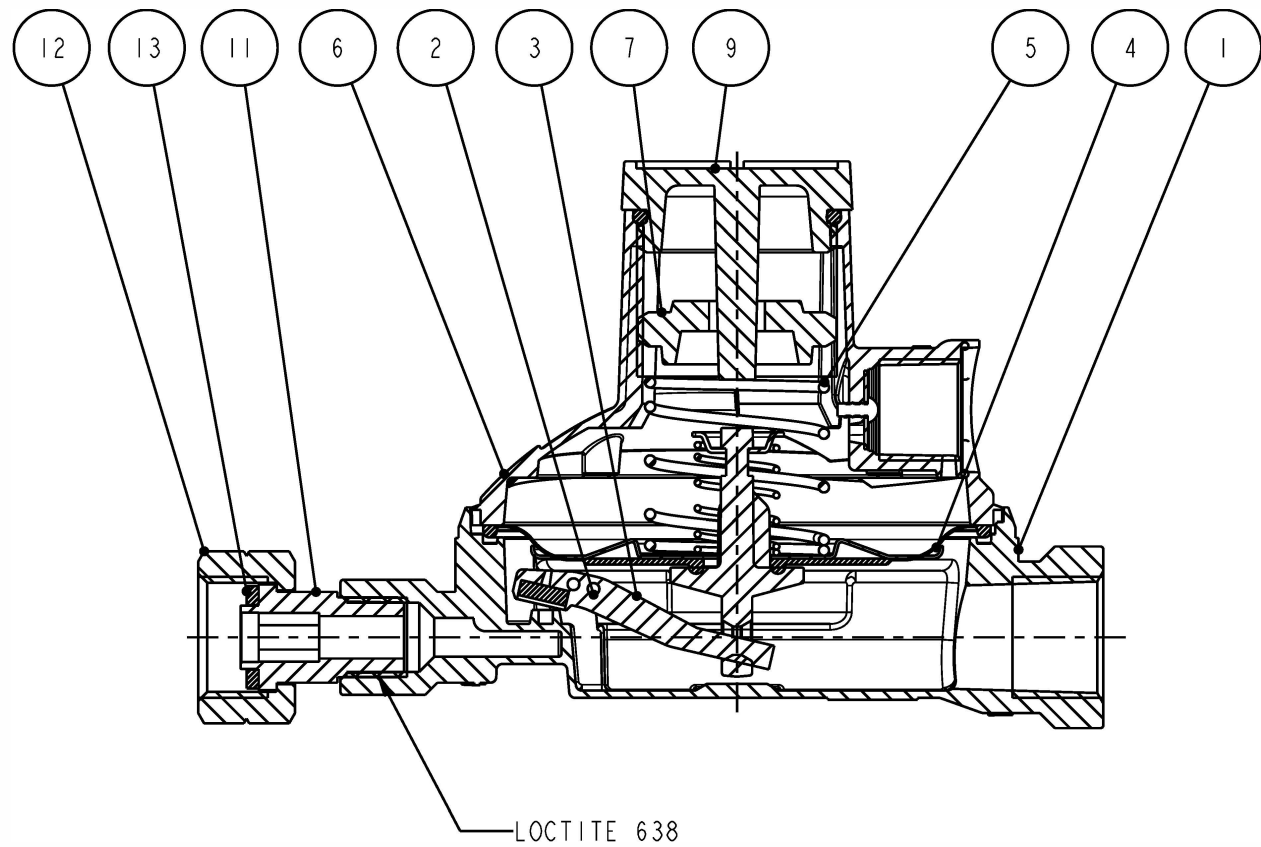
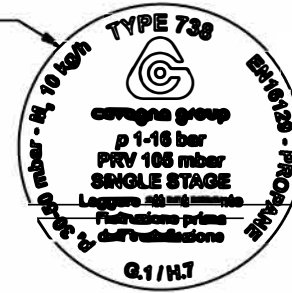
Cavagna Part Number : **73-1-890-0110**

Description: **SINGLE STAGE REGULATOR  
PROPANE 30-50 mbar 10 kg/h**

Pos per carton:  
Data:



— INK STAMP (WHITE)



— MANUFACTURING DATE  
MONTH (+4) - YEAR

NO	NO PRODUCT	DENOMINATION	Q.TY
1	00-1-150-0646	MACHINED BODY TYPE 73 G1/4 - G1/2 - REPORT K-1/6	1
2	05-4-110-0020	PIN-LEVER	1
3	02-4-950-0005	S/I LEVETTA MOD.73 USA	1
4	09-1-950-0074	S/I MEMBRANA VDS MOD.73 EUROPA	1
5	07-1-110-0220	MOLLA TARATURA 2° STADIO MOD.738 30±50 mbar	1
6	01-1-950-0085	S/A COVER FOR REGULATOR TYPE 738 WITH SCREEN	1
7	08-4-110-0032	SPRING ADJUSTER	1
8	24-1-110-0001	WHITE ALUMINIUM RAL 9006	1
9	19-4-950-0022	S/I TAPPO MOD.73 USA	1
10	18-1-310-0905	INK STAMP FOR TYPE 738	1
11	16-1-110-0126	RACCORDO	1
12	10-1-110-0005	UNION NUT - W 20 X 1/14" G1-EN 12864	1
13	04-1-110-0007	SEALING WASHER	1
14	34-1-110-1221	INSTRUCTION TYPE 734 - EN16129 (IT-GR)	1
15	23-1-210-0221	IMBALLO REGOLATORE INDIVIDUALE	1
16	34-1-210-2999	SINGLE BOX LABEL	1
17	23-1-510-0024	STANDARD BOX (R52)	1
18	34-1-210-3000	EXPEDITION BOX LABEL	1

	DENOMINATION		PROPANE 30±50 mbar 10 Kg/h			
	SINGLE STAGE REGULATOR TYPE 738 WITH SAFETY					
RECA	MODEL 738	ORIFICE 3.4	INLET W20X1/4" L.H.	OUTLET G 1/2 FEMALE	SHARED N.A.	PROD. INT. GROUP -
PERFORMANCE DOC. 73-062	COUNTRY N.A.	COUNTRY SPECIFIC N.A.	WEIGHT 0.575	SCALE 4:5	MODIFY FILE N.A.	PRODUCT NO <b>73-1-890-0110</b>
PROD. EVOLUTION DEFINITIVE	PROJECT NO DS05444	RELEASE LEVEL APPROVED	DRAWN BY PEDRINI M.	VERIFIED BY TOMASELLI L.	APPROVED BY SCHLICK B.	DATE 07/04/16