

# Point of Use Lux

ErP Energy Class  
Up to **B** 

## SERIES PONY 10-15-30



Pony water heaters are ideal for the rapid and inexpensive production of small quantities of water. They can be installed above or below the sink (30 Litres above only). Space-saving design for installation in limited spaces.

- **Steel tank, glass-lined "Blue Glass 4753" using flow-coating method 850°C, WRAS (BS6920-1) certified**
- Corrosion-proof magnesium anode
- Screw-in heating element in copper, fitted on a flange for LUX version
- Regulation and safety rod thermostat, with external control knob only for LUX
- **IPX5 protective cover over electrical parts**
- Neopor® insulating shells for reduced heat loss
- Shock-resistant polypropylene casing and back
- Brackets for wall mounting available upon request
- LED indicator light

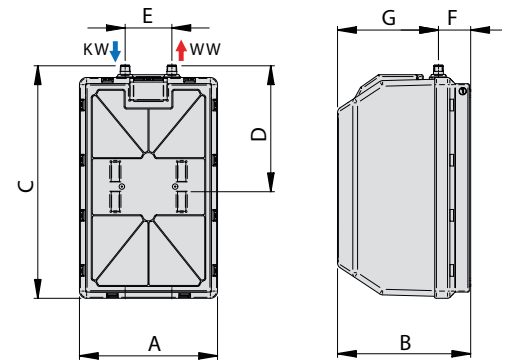
## SERIE LUX



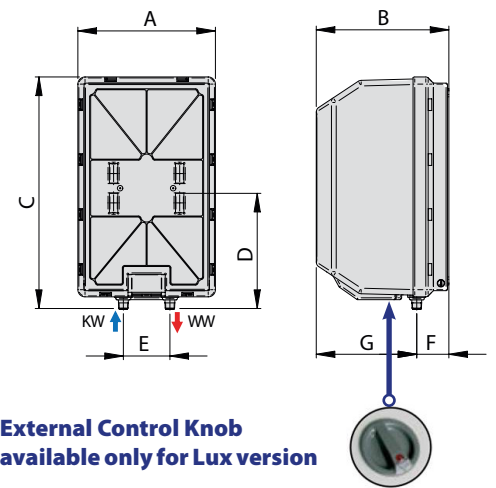
**WARRANTY 2+3 YEARS**

TECHNICAL DATA	M.U.	Pony 10/5	Pony 10/5 s	Pony 15/5	Pony 15/5 s	Pony 30/5
Capacity	l	10	10	15	15	30
Code	/	<b>161454</b>	<b>161455</b>	<b>161484</b>	<b>161485</b>	<b>161507</b>
Warranty	Years	2+3	2+3	2+3	2+3	2+3
Power	kW	1,2	1,2	1,2	1,2	1,2
Voltage	V~	230	230	230	230	230
Heating time (ΔT50 °C)	min.	30	30	45	46	92
ErP Energy Class	ErP	B	B	B	B	C
ErP Test profile		XXS	XXS	XXS	XXS	S
Max. operating temperature	°C	75	75	75	75	75
Max. operating pressure	MPa	0,8	0,8	0,8	0,8	0,8
Net weight	kg	6,0	6,0	7,5	7,5	10,0
Hydraulic connections (KW-WW)	G	½"	½"	½"	½"	½"

**Undersink version 10s-15s**



**Oversink version 10-15-30**



**External Control Knob available only for Lux version**



**WARRANTY 2+3 YEARS**

**INSPECTION FLANGE AND EXTERNAL KNOB**

VERSION LUX TECHNICAL DATA	M.U.	PonySE 10/5	PonySE 10/5 s	PonySE 15/5	PonySE 15/5 s	PonySE 30/5
Capacity	l	10	10	15	15	30
Code	/	<b>171000</b>	<b>171001</b>	<b>171002</b>	<b>171003</b>	<b>171004</b>
Warranty	Years	2+3	2+3	2+3	2+3	2+3
Power	kW	1,2	1,2	1,2	1,2	1,2
Voltage	V~	230	230	230	230	230
Heating time (ΔT50 °C)	min.	30	30	46	46	92
ErP Energy Class	ErP	B	B	B	B	C
ErP Test profile		XXS	XXS	XXS	XXS	S
Max. operating temperature	°C	75	75	75	75	75
Max. operating pressure	MPa	0,8	0,8	0,8	0,8	0,8
Net weight	kg	6,0	6,0	7,5	7,5	10,0
Hydraulic connections (KW-WW)	G	½"	½"	½"	½"	½"

Dimensions	M.U.	10/10s	10/15s	30
A	mm	261/261	296/296	366
B	mm	251/251	285/285	355
C	mm	450/450	498/498	568
D	mm	228/250	248/270	384
E	mm	100/100	100/100	100
F	mm	62/62	69/69	89
G	mm	189/189	216/216	266

Notes: s = undersink version.

