

Flow splitter fitting EUROK

▶ AC 647

Flow splitter fitting EUROK for manifolds.

■ PRESENTATION



Flow splitter fittings are used in both heating and cooling systems to divide the flow rate of one same circuit. Their EUROK connection makes them usable with all IVAR manifolds with 3/4" secondary connections.

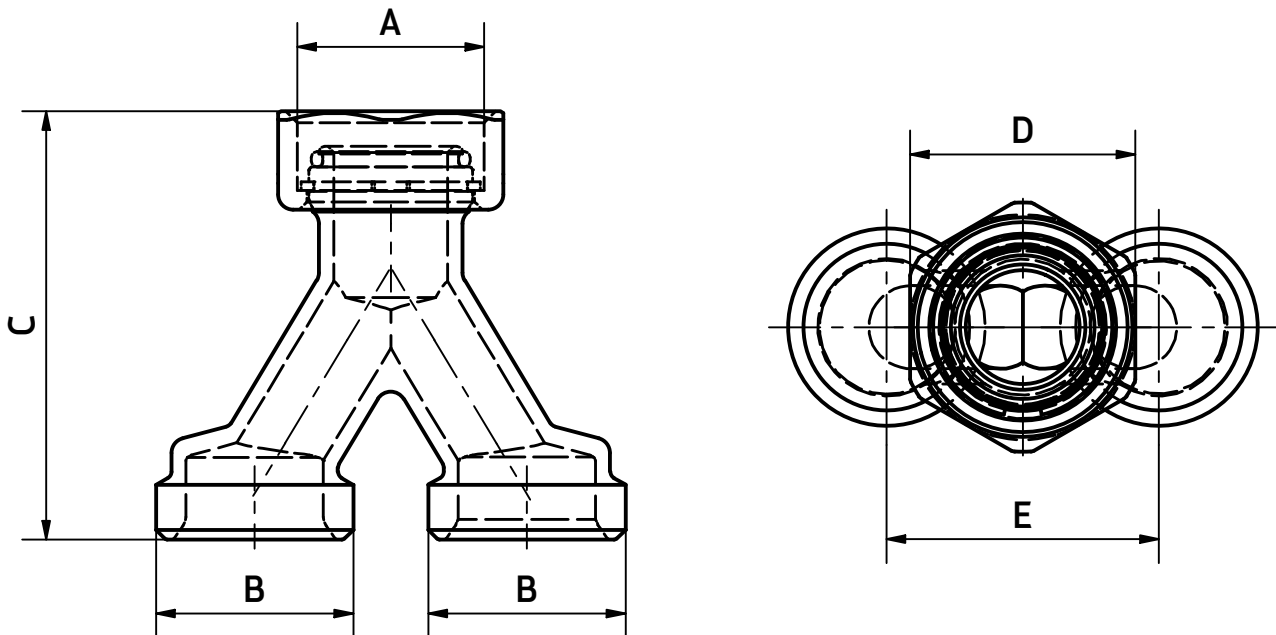
■ MATERIALS

- Brass parts: CW 617 N
- O-rings and sealings: EPDM PEROX

■ APPLICATION

Flow splitter fittings can be used in combination with flow and return manifolds with 3/4" connections for circuits.

■ DIMENSIONS



Art.	Cod.	A	B	C	D	E
AC647	506138	G3/4"	EK	49.3	CH30	36

■ SPECIFICATION SUMMARY

Splitter fitting. Size: EUROK with swivel nut x EUROK. Centre distance: 36 mm. Fitting body: nickel-plated CW617N brass. O-ring: Peroxide-cured EPDM.

IVAR S.p.A.

Via IV Novembre, 181

25080 Prevalle (BS), Italy

T. +39 030 68028 – F. +39 030 68 01 329

info@ivar-group.com – www.ivar-group.com

IVAR S.p.A. reserves the right to make improvements and changes to the products and related documentation at any time and without notice. All rights reserved. Reproduction in whole or in part is prohibited without the prior consent of the copyright owner.